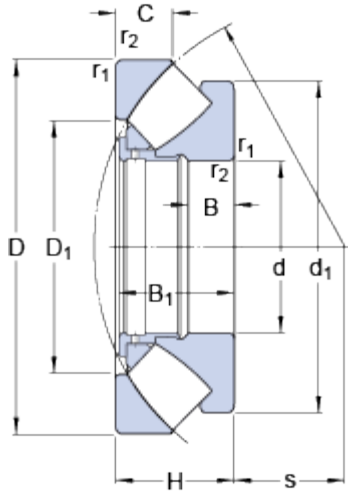


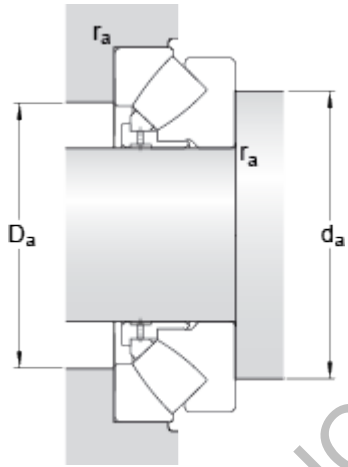
# 293/710 EM

## Dimensions



$d$	710	mm
$D$	1060	mm
$H$	212	mm
$d_1$	≈ 985	mm
$D_1$	≈ 855	mm
$B$	74	mm
$B_1$	205	mm
$C$	103	mm
$s$	404	mm
$r_{1,2}$	min. 9.5	mm

## Abutment dimensions



$d_a$	min. 890	mm
$D_a$	max. 960	mm
$r_a$	max. 8	mm

## Calculation data

Basic dynamic load rating	$C$	9950	kN
Basic static load rating	$C_0$	45500	kN
Fatigue load limit	$P_u$	3400	kN
Reference speed		280	r/min
Limiting speed		500	r/min
Minimum axial load factor	$A$	200	

## Mass

Mass bearing		610	kg
--------------	--	-----	----